

WEIGHT CLASS

2.4 / 2.6 TONNE

| TB23R |



COMPACT SHORT TAIL SWING EXCAVATOR

TAKEUCHI
Excavating Excellence

TB23R Short Tail Swing - made for

Takeuchi's TB23R is a short tail swing mini excavator built for confined working spaces.

Both canopy and cab weigh-in comfortably under 2.7 tonne inclusive of bucket, just the job for trailer towing. The TB23R is a powerful 2.5 tonne portable, compact mini excavator.

Performance features include its short tail swing, allowing you to work right up to walls or edges without the risk of damage to crucial parts at the rear of the machine.

OPERATOR COMFORT

Operators benefit from good visibility and an extremely comfortable roomy cab.

The stylish cab comes complete with plenty of room, operator storage and radio.



TILT-UP CAB

Excellent service access from the unique tilt-up operator cab.

TB23R Compact Short Tail Swing Mini Excavator is perfect for groundworks, plant hire, landscaping and earth moving applications.

Good visibility from the TB23R canopy – a full 360° is perfect for busy sites and digging and slewing in tight working areas.

Its offset dig functions give the TB23R more versatility to dig both left and right 65° left 50° right, without moving the overall machine position. The offset boom offers greater flexibility for digging situations on-site.

Weighing in under 2.7 tonnes the TB23R is easily transportable on a trailer.

With a reputation for reliability, Japanese build quality makes all the difference.



...r tight corners



EASY ACCESS & MAINTENANCE

Vandal-protected, lockable fuel tank and engine compartment.

Easy access for standard servicing including Safe Drain engine oil and fuel system.



MADE FOR TIGHT CORNERS

The short tail swing TB23R mini excavator is the ideal machine for tight corners. It has a short tail swing getting you up close to walls and other obstructions.

PERFORMANCE

- Short tail swing works right up to walls, minimising potential machine damage.
- Simultaneous operation with cab swing and two digging functions with no reduction in speed.

OPERATION

- Offset dig – LH/RH (80°/50° canopy) (65°/50° cab).
- Two-speed travel.
- Precise response, proportional main control valves.
- Cushion main boom, arm and swing cylinders.
- Pilot operated joystick controls with armrest.
- Short pitch rubber tracks.

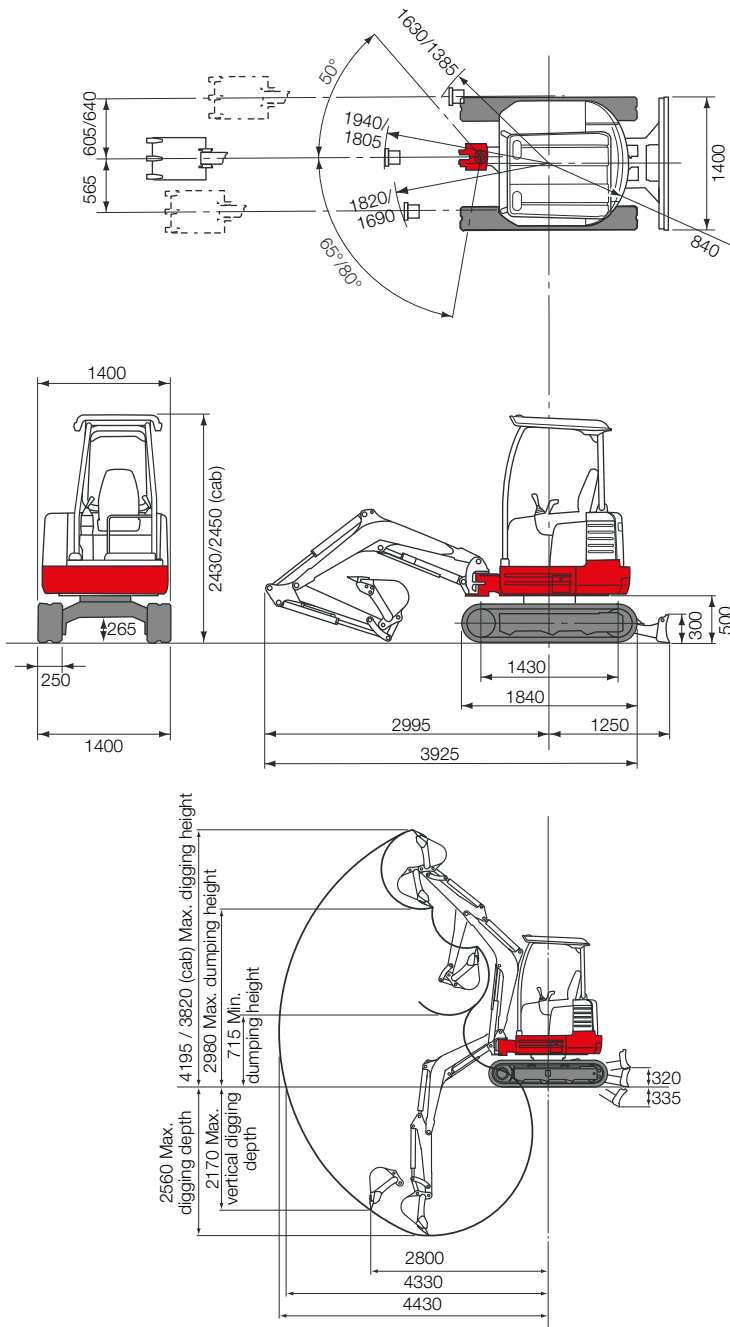
SAFETY & SERVICE

- Safety lockout lever for travel and operating controls.
- Protective routing of bucket arm cylinder hydraulic hoses.
- Main boom cylinder guard.
- Engine oil Safe Drain system.
- Lockable operator's manual and storage compartments.
- All Takeuchi machines come with 2 year/ 2,000 hours warranty as standard.

OPTIONS

- TKB101 Hydraulic Breaker
- Steel tracks





For more information locally

call us direct, or contact:



Takeuchi Mfg (UK) Ltd, Unit E2B Kingsway Business Park,
John Boyd Dunlop Drive, Rochdale, Lancashire OL16 4NG
Tel: 01706 657 722 Fax: 01706 657 744

Southern Depot at 20 Colthrop Business Park
Colthrop Lane, Thatcham, Newbury, Berks RG19 4NB
Tel: 01635 877 196 Fax: 01635 877 195

www.takeuchi-mfg.co.uk Email: sales@takeuchi-mfg.co.uk

TB23R

Standard UK Specification - Long Dipper/
Rubber Tracks

Engine	
Make	Yanmar
Model	3TNV76
Rated Output (kW)/RPM	14.4/2300
Maximum Torque (Nm)	62.5-68.1
Cylinders	3
Displacement (cc)	1115
Electrical System	12volt

Dimensions & Weight	
Operating Weight inclusive of bucket and fuel: Cab/Canopy (kg)	2640/2480
Overall Length (mm)	3925
Width (mm)	1400
Height Cab/Canopy (mm)	2450/2430
Ground Clearance (mm)	265
Min. Front Swing Radius Cab/Canopy (mm)	1385
Left Boom swing angle	65°
Right Boom swing angle	50°
Tail Swing Radius (mm)	820
Dozer Blade (W x H) (mm)	1400x300
Blade Range Up/Down	320/335

Operating Information	
Max Digging Depth (mm)	2560
Max Dump Height Cab/Canopy (mm)	2640/2980
Max Reach at Ground Level (mm)	4330
Max Vertical Digging Depth (mm)	2170
Max Bucket Digging Force (kN)	19
Max Arm Digging Force (kN)	11.9

Hydraulic System	
Set Pressure (bar)	210
Pump Type	Variable (P1+P2) + Gear(P3+P4)
Hydraulic Flow (l/min)	23x2+14.7+9.4
Hydraulic Flow Aux Port (l/min)	40

Swing System	
Boom Swing Angle (R/L)	50°/65° Cab 50°/80° Canopy
Slew Speed (rpm)	9.6
Slew Motor	Fixed Displacement piston
Slew Brake	Disc

Undercarriage	
Traction Motor	Variable displacement piston
Traction Brake	Disc
Track Width (mm)	250
Ground Contact Length (mm)	1430
Ground Pressure (kpa)	33kpa
Travel Speed (k/ph)	2.4/4.2
Maximum Gradeability	30°

Capacities	
Hydraulic System (l)	38
Fuel Tank (l)	30
Engine Lubrication (l)	3.4
Cooling System (l)	3.5

All dimensions unless otherwise stated are in millimetres

06/2018

*Lifting; the mass weight of slings / hitches / bucket to be deducted from the rated load to determine the net load that may be lifted.

Takeuchi machines come with a 2 year/2000 hours warranty as standard. Warranty exceptions to 1 year; fuel injection systems, electrical components, paint work.

In accordance with our established policy of constant improvement, we reserve the right to amend these specifications at any time without notice. Photographs shown may feature non-standard equipment.